

Keyword:
Enhanced Start

Type: **SL-740**

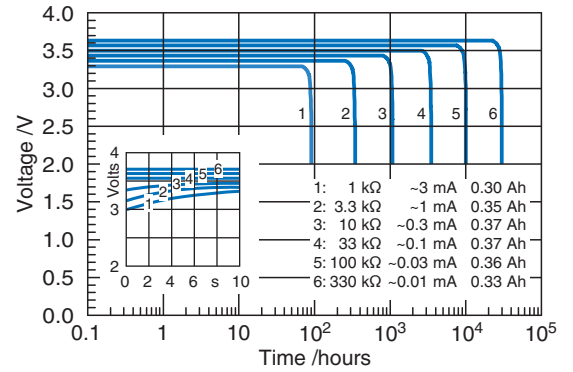
Performance Data **Size BEL**
 (Typical values for batteries stored at 25°C for one year)

System	Li/SOCl ₂
Nominal voltage	3.6 V
Nominal capacity	0.37 Ah
Nominal current	0.3 mA
Max. continuous discharge current	3 mA
Pulse current capability	10 mA
Anode surface area	2.4 cm ²
Weight	5 g
Volume	1.2 cm ³
Temperature range	-55...+75 °C

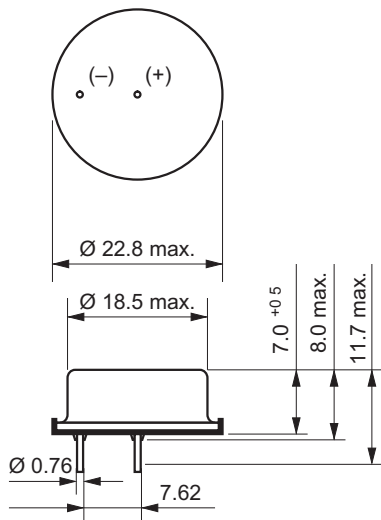
WARNING:
 Fire, explosion, and severe burn hazard. Do not recharge, disassemble, heat above 100 °C, incinerate, or expose contents to water.

See page 4 for further safety recommendations.

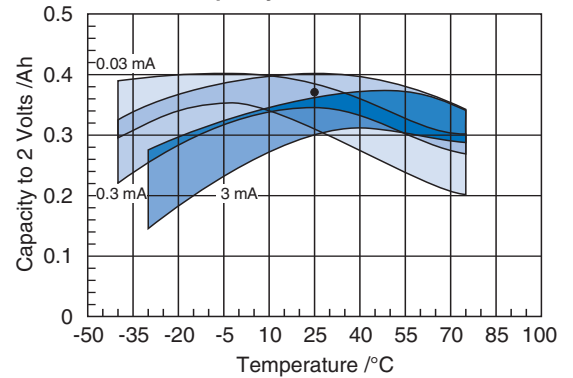
Typical Discharge Curves at +25°C



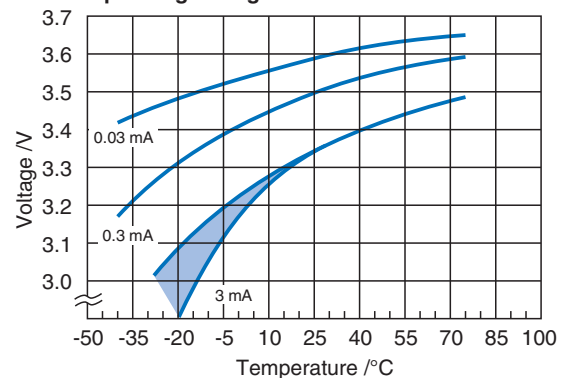
SL-740



Available Capacity



Operating Voltage



Available Terminations

SL-740 Pins

Catalogue No.

11 1 17404 00

Any values given here are for information purposes only. They also depend on actual conditions of use and are not warranties of future performance. Subject to change.