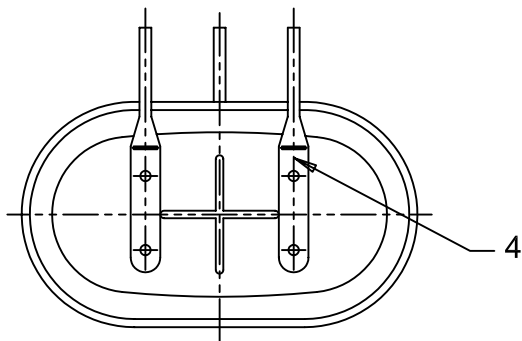
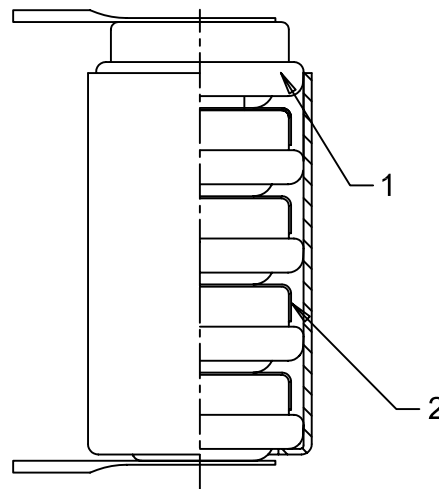
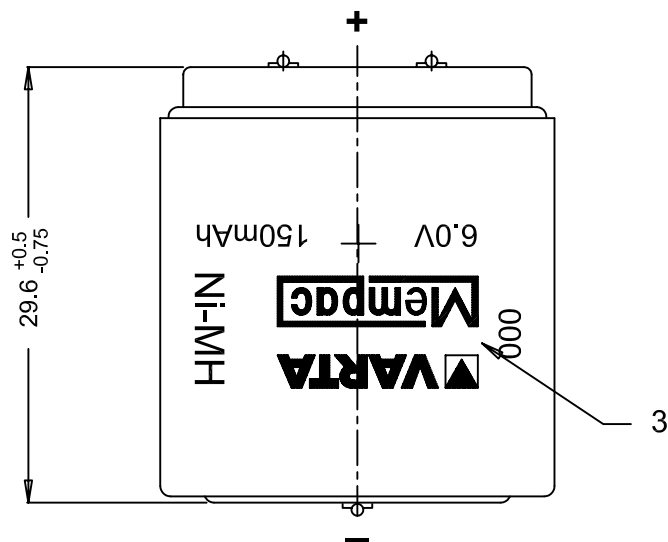
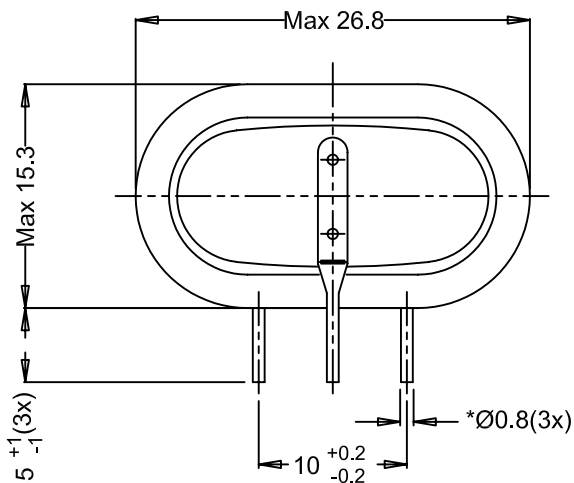


This is a controlled document.
 Hardcopy to be endorsed by authorized person.
 Check with Issuing Office or SAP system for latest update.



Note: *Dimensions for reference only

Approx. wt : 31 g

No.	Alterations:	Date:	Name:	Dimensions in mm	Material:	
1	AO R36/03; Terminal pin change to use flatten model	2002-08-22	Ratna	Tolerance: As specified	Refer to part list no: 063708	
2	AO R001/04; Change code from 4 digit to 3 digit	2004-01-02	Tutik	Projection:		
3	AO R012/04; Change VKB from ...012 to ...940	2004-02-11	Dwi	Scale: 2 : 1		
				Loc. : 1	Date:	Name:
				Prepared:	2002-08-22	Ratna
				Approved:		

Description:
5/V150H battery
 with casing & terminal pin

RIGHTS RESERVED TO MAKE TECHNICAL CHANGES, AS A RESULT OF FURTHER DEVELOPMENT, WITHOUT NOTICE. THIS DRAWING IS THE PROPERTY OF VARTA BATTERIES PTE LTD AND MUST NOT BE COPIED OR DISCLOSED TO A THIRD PARTY WITHOUT THE WRITTEN CONSENT OF VARTA BATTERIES PTE LTD.



Dwg. No: **063708** | 4 | 0 | 3
 VKB Order No: **55615 605 940**
 Released : 2001-02-20