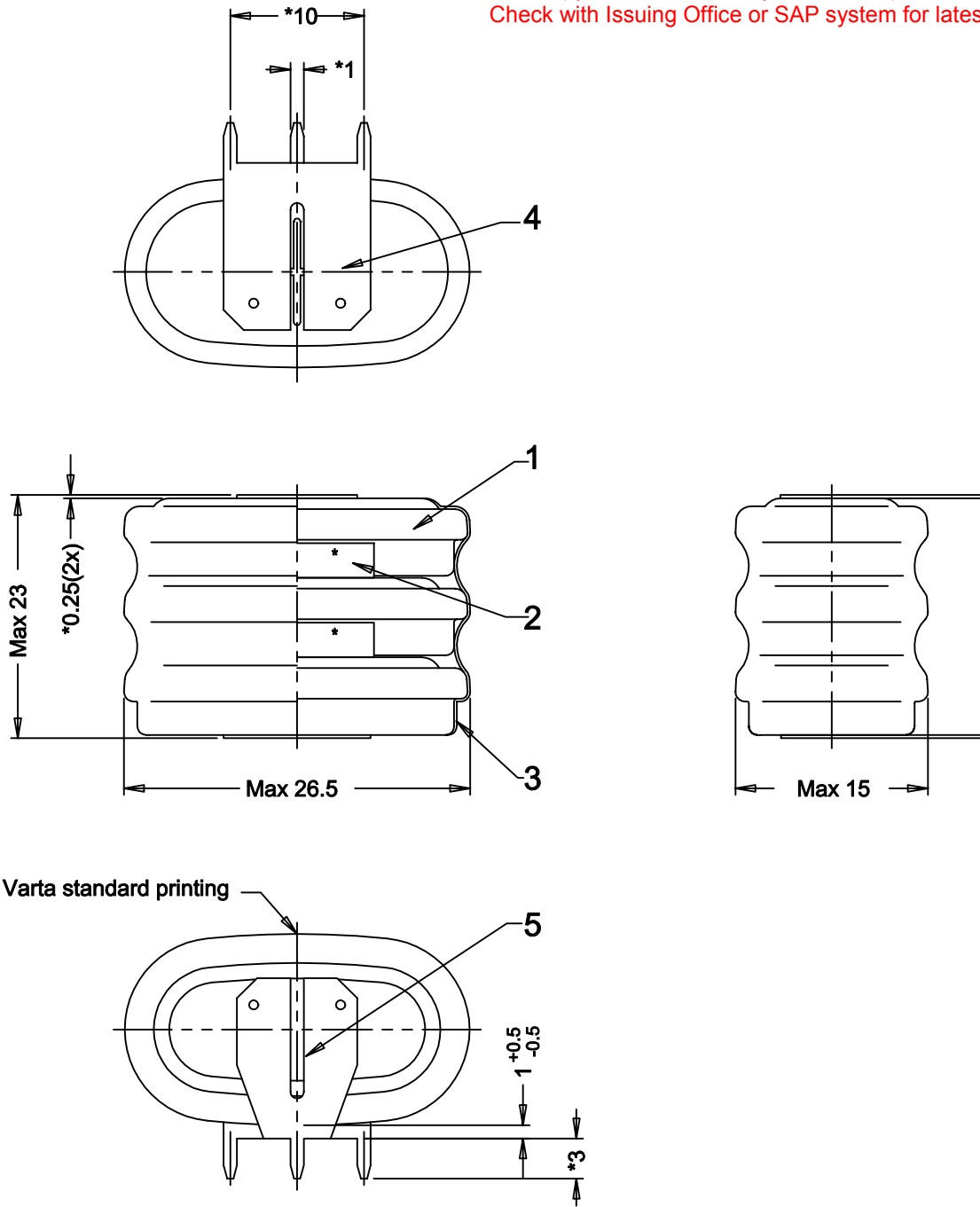


This is a controlled document.
 Hardcopy to be endorsed by authorized person.
 Check with Issuing Office or SAP system for latest update.



Note: *Dimensions for reference only

No.	Alterations:	Date:	Name:	Dimensions in mm	Material: Refer to part list no: 071654
				Tolerance: As specified	
				Projection:	Description: 3/V200H battery with shrink sleeve & solder tags
				Scale: 2 : 1	
			Prepared: 1999-04-04 Approved: 2001-	Date: 1999-04-04 Name: Tatang	
RIGHTS RESERVED TO MAKE TECHNICAL CHANGES, AS A RESULT OF FURTHER DEVELOPMENT, WITHOUT NOTICE. THIS DRAWING IS THE PROPERTY OF VARTA BATTERIES PTE LTD AND MUST NOT BE COPIED OR DISCLOSED TO A THIRD PARTY WITHOUT THE WRITTEN CONSENT OF VARTA BATTERIES PTE LTD.				VARTA THE BATTERY EXPERTS	Dwg. No: 071654
					VKB Order No: 55620 303 059
					Released : 2001-01-03
Distribution: 0, 1.1, 2.1, 2.2, 2.3, 3.3.					

4 0 0