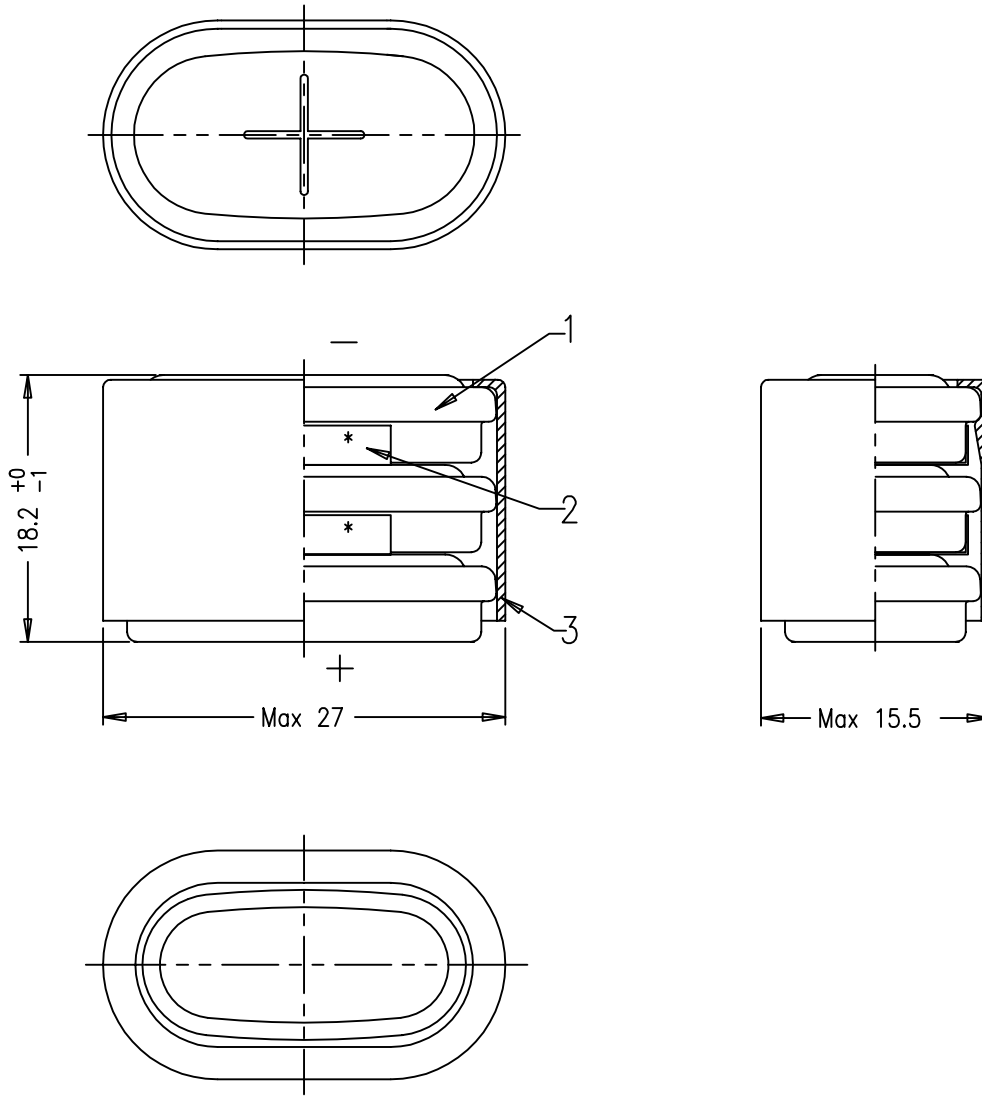


This is a controlled document.
 Hardcopy to be endorsed by authorized person.
 Check with Issuing Office or SAP system for latest update.



Approximate weight of battery : 18.4g

No.	Alterations:	Date:	Name:	Dimensions in mm	Material:
				Tolerance: DIN 7168 Medium	Refer to part list no: 071461
				Projection:	Description: 3/V150H battery with snap-on plastic casing
				Scale: 2 : 1	
				Date: Name:	
				Prepared: 1998-09-10 Titus WS	
				Approved: 2000-	
RIGHTS RESERVED TO MAKE TECHNICAL CHANGES, AS A RESULT OF FURTHER DEVELOPMENT, WITHOUT NOTICE . THIS DRAWING IS THE PROPERTY OF VARTA BATTERIES PTE LTD AND MUST NOT BE COPIED OR DISCLOSED TO A THIRD PARTY WITHOUT THE WRITTEN CONSENT OF VARTA BATTERIES PTE LTD.					Dwg. No: 071461 400
					VKB Order No: 55615 603 052
					Orig No:
Distribution: 0, 1, 1.1, 2, 2.1, 2.2, 3, 3.1, 3.1.1, 3.2, 3.3, 3.4, 4 .					