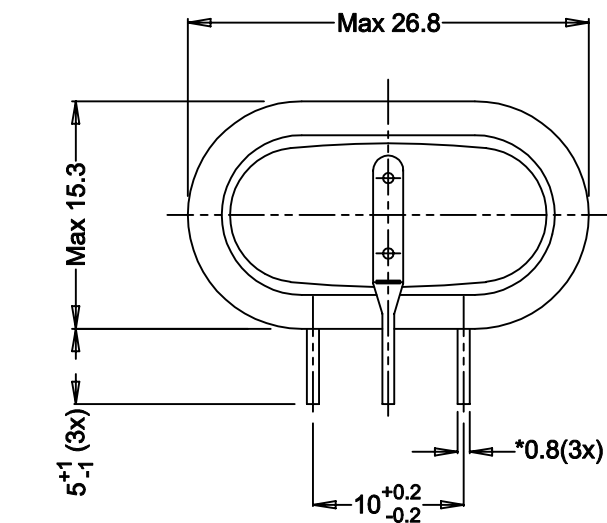
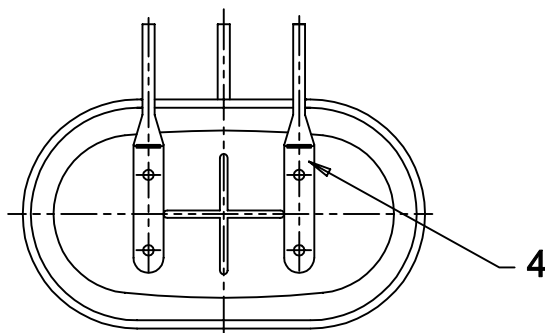
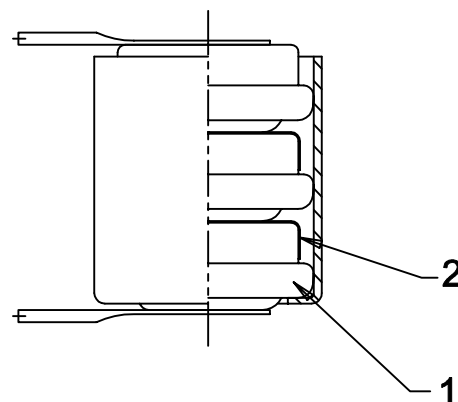
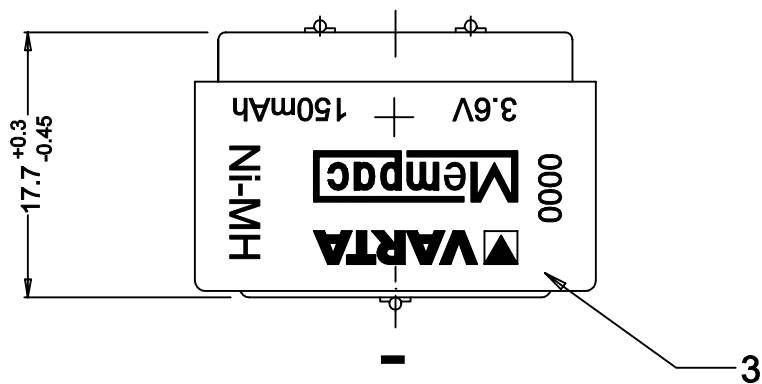


This is a controlled document.
 Hardcopy to be endorsed by authorized person.
 Check with Issuing Office or SAP system to latest update.



+



Note: *Dimensions for reference only

Approx. wt : 15 g

No.	Alterations:	Date:	Name:	Dimensions in mm			Material:
				Tolerance: As specified			
1	AO R36/03; Terminal pin change to use Flatten model	2002-08-22	TitiWS	Projection:			Description: 3V150H battery with casing & terminal pin
				Scale: 2 : 1			
				Loc. : 1	Date:	Name:	
				Prepared:	2001-01-31	Yeni	
				Approved:	2003-		

RIGHTS RESERVED TO MAKE TECHNICAL CHANGES, AS A RESULT OF FURTHER DEVELOPMENT, WITHOUT NOTICE. THIS DRAWING IS THE PROPERTY OF VARTA BATTERIES PTE LTD AND MUST NOT BE COPIED OR DISCLOSED TO A THIRD PARTY WITHOUT THE WRITTEN CONSENT OF VARTA BATTERIES PTE LTD.



Dwg. No:	063706	4	0	1
VKB Order No:	55615 603 940			
Released : 2000-08-09				