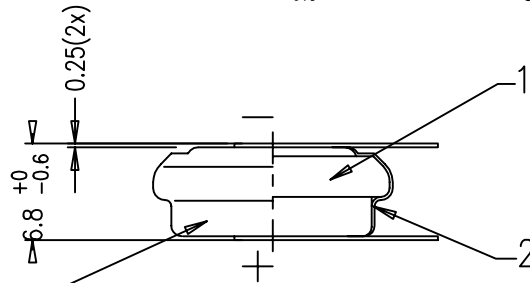
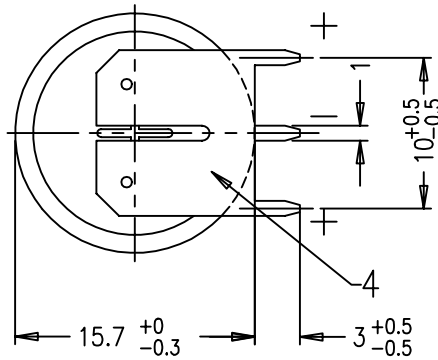


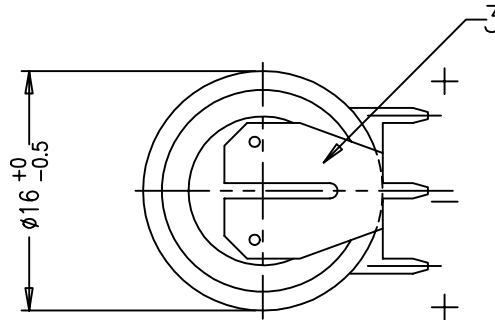
**This is a controlled document.**

Hardcopy to be endorsed by authorized person.

Check with Issuing Office or SAP system for latest update.



Monthly date code  
eg. Mar. 1998 = "038"



Note: 1) For typical PCB application we recommend to use VARTA-Mempac batteries

No.	Alterations:	Date:	Name:	Dimensions in mm	Material:
				Tolerance: DIN 7168 Medium	Refer to part list no : 071132
				Projection:	Description:  V80H with shrink sleeve & solder tags
				Scale: 2 : 1	
				Date: Name:	
				Prepared: 1998-03-17 Titis WS	
				Approved: 2000-	

RIGHTS RESERVED TO MAKE TECHNICAL CHANGES, AS A RESULT OF FURTHER DEVELOPMENT, WITHOUT NOTICE . THIS DRAWING IS THE PROPERTY OF VARTA BATTERIES PTE LTD AND MUST NOT BE COPIED OR DISCLOSED TO A THIRD PARTY WITHOUT THE WRITTEN CONSENT OF VARTA BATTERIES PTE LTD.



Dwg. No:	071132	400
VKB Order No:	55608 201 014	
Orig No:		