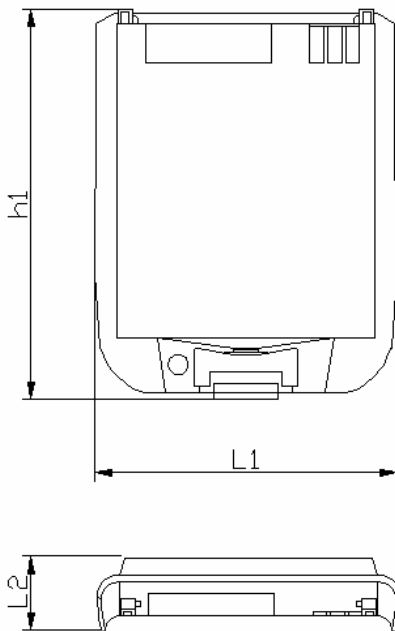



## data sheet

<b>system:</b>	Lithium-Ion-Battery
<b>nominal voltage:</b>	3,7V
<b>end charge voltage:</b>	4,2V
<b>max. charge current:</b>	500mA
<b>charge conditions</b>	
standard charge:	250mA for 3,5h min.
fast charge:	500mA for 2,5h min.
charging method:	CC-CV (constant current and constant voltage)
<b>capacity</b>	after standard charge
nominal:	500mAh at 0,2C discharge to 2,75V
minimal:	450mAh at 0,2C discharge 400mAh at 1C discharge
<b>max. discharge current:</b>	500mA
<b>life time expectancy:</b>	> 300 cycles
<b>ambient temperature range</b>	
charge:	0...45°C
discharge:	-20...60°C
long term storage:	-20...35°C (less than 1 year)
<b>weight:</b>	23g
<b>dimensions:</b>	L1: 55,2mm L2: 44,0mm h1: 10,5mm



38

	specifications for model/type:	A – Sie8 (Siemens SL55)
	Ansmann drawing number / part number:	5060203
	drawn by / date:	Gramlich / 07.07.2005