

## data sheet

**system:** Lithium-Ion-Battery

**nominal voltage:** 3,7V

**end charge voltage:** 4,2V

**max. charge current:** 850mA

**charge conditions**  
 standard charge: 425mA for 3,5h min.  
 fast charge: 850mA for 2,5h min.  
 charging method: CC-CV (constant current and constant voltage)

**capacity** after standard charge  
 nominal: 850mAh at 0,2C discharge to 2,75V  
 minimal: 760mAh at 0,2C discharge  
 720mAh at 1C discharge

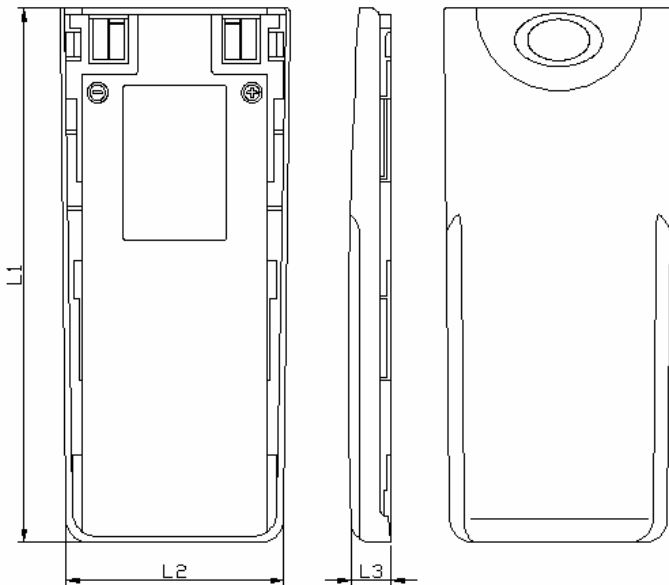
**max. discharge current:** 850mA

**life time expectancy:** > 300 cycles


**ambient temperature range**  
 charge: 0...45°C  
 discharge: -20...60°C  
 long term storage: -20...35°C (less than 1 year)

**weight:** 40g

**dimensions:** L1: 103,7mm  
 L2: 45,4mm  
 L3: 10,7mm



38

	<b>specifications for model/type:</b>	A – NOK 6 (Nokia BPS-2)
	Ansmann drawing number / part number:	5060333
	drawn by / date:	Brandt / 29.08.2006